



Morro Strand State Beach

Yerba Buena St. off Hwy. 1 • Morro Bay, CA 93442
(805) 772-8812

Morro Strand State Beach is a coastal frontage park featuring outstanding beach recreation. A three-mile stretch of beach connects the southern and northern entrances to the beach. Fishing, surfing, jogging, birding, and sunbathing are popular.

PARK FEES are due upon entry into the park. Use the self-registration system if the entrance station is closed. The campsite fee covers one vehicle and one towed vehicle. Additional fees apply to extra vehicles, including motorcycles.

OCCUPANCY: Eight people maximum are allowed per campsite.

VEHICLE PARKING: No more than two licensed vehicles per site (motorcycles exempt). Trailers are considered vehicles when counting for the two vehicle limit. Vehicles parked in a campsite must be parked between the white lines and entirely on the pavement.

TRAILERS/RVs: Hookup sites can accommodate vehicles up to 40 feet maximum. Standard (non-hookup) sites can accommodate up to 24 feet maximum. If available, vehicles exceeding 24 feet requesting a standard site may purchase sites 4, 6, A, B, C, or D. RV sites include full hookups (30 and 50 amps) and space for vehicles adjacent to the RVs.

CHECK-OUT time is at noon. Please vacate your site by that time. Check-in time is 2 p.m.

SPEED LIMIT: The maximum speed limit is 15 mph. When pedestrians are present, even 15 mph might be too fast. Use good judgment.

DOGS are permitted in campsites and on park roads and must be on a six-foot-maximum leash held by an adult. Except for service animals, dogs are not allowed on the trails or beach. Dogs may not be left alone in the campsite and must be kept in a tent or vehicle at night. Please pick up after your pets.

FISHING regulations are available at www.wildlife.ca.gov.

RESTROOMS: Electrical outlets in the restrooms are for short-duration use. Do not use outlets for long-duration charging. Do not use extension cords in these outlets.

SHOWERS are located at Morro Bay State Park Campground. Present your receipt to the kiosk staff for free entry into the campground.

QUIET HOURS are from 10 p.m. to 6 a.m. Radios and other sound-producing devices must not be audible beyond your immediate campsite. To ensure an enjoyable experience for everyone, please do not disturb other campers, regardless of the time of day or night.

GENERATORS may only be operated between the hours of 10 a.m. and 8 p.m.

FIRES/FIREWOOD: Fires are only allowed in the standard (non-hookup) sites, and only in the fire rings provided. Because of space restrictions, fires are not permitted in the hookup sites, the exception being camping stoves. Collecting dead or downed wood is prohibited. Firewood is available for sale at the camp host sites. All fireworks are prohibited.

BEACH: No camping or fires are permitted on the beach or in the dunes. Visitors must use marked corridors to access/exit the beach. It is unlawful to occupy the area inside the fenced habitat or nest enclosures during bird-nesting season—March 1 to September 30 annually.

ALCOHOL and glass containers are allowed in your campsite and on the beach. Please use the trash and recycling receptacles for cans and bottles.

TRASH: Cigarette butts, paper, boxes, bottles, ashes, and other rubbish must be placed in designated receptacles. Please clean up after yourself so that others may enjoy the beauty of this park.

BICYCLES are allowed only on paved roads. Bicycle riders under age 18 must wear a helmet. Bicycles ridden after dark must be properly illuminated. Please ride safely.

DAY-USE offers beach access, restrooms, barbecues, and picnic tables. Day-use parking across from the kiosk is free from 6 a.m. to 10 p.m.

CAMPING RESERVATIONS: You may make camping reservations by calling (800) 444-7275.

To make online reservations, visit our website at www.parks.ca.gov.

ALTERNATE FORMAT: This publication can be made available in alternate formats.

Contact interp@parks.ca.gov.



Morro Strand State Beach

Your Site # _____

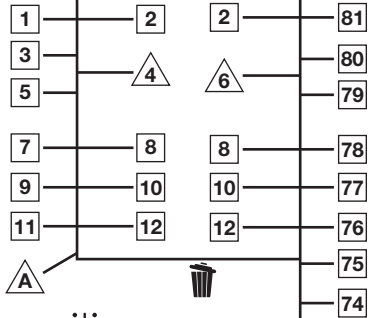
Entrance Station



Day-use Area

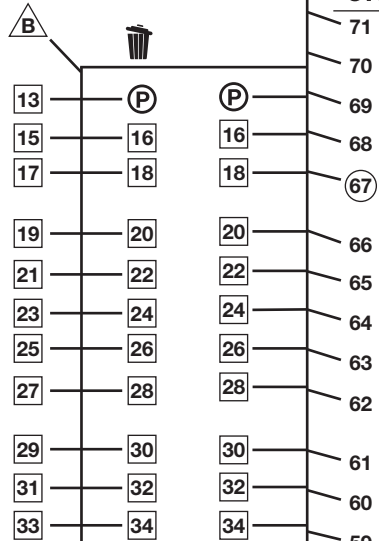
Pacific Ocean

Beach



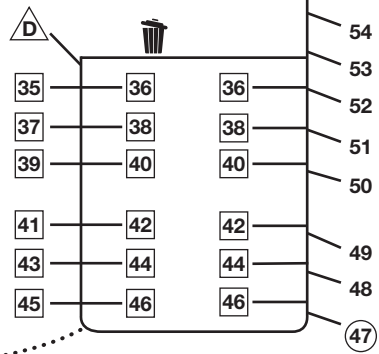
Restroom 1

CH
CH



Restroom 2

40 ft. Sites with full hookups



Legend

- Paved Road
- Trail
- CH** Camp Host
- Campsite: Accessible
- Campsite: 24 ft.
- Campsite: 40 ft.
- Parking
- Picnic Area
- Restrooms
- Trash

Map not to scale

For Emergencies, Dial 911.