



Figure 16

CALIFORNIA STATE FIRE MARSHAL - APPROVED
 Approval of this plan does not authorize or approve any omission or deviation from applicable regulations. Final approval is subject to field inspection. One set of approved plans shall be available on the project site at all times.

Reviewed by _____ Date _____

DPR ACCESS COMPLIANCE REVIEW
 ACCESSIBILITY SECTION
 CERTIFICATION # _____

Reviewed by _____ Date _____

ACCESSIBILITY COMPLIANCE AND STATE FIRE MARSHAL SIGNED ORIGINALS ARE ON FILE AT THE DEPARTMENT OF PARKS AND RECREATION, NORTHERN SERVICE CENTER.

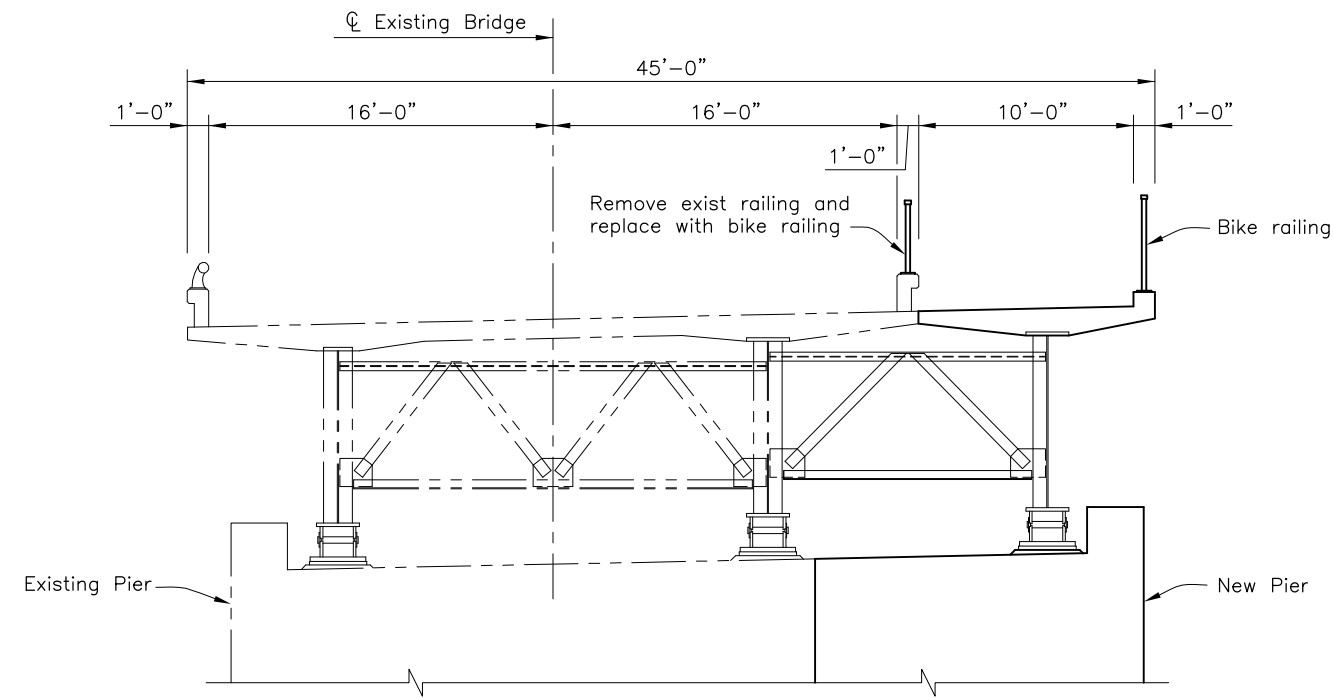
DESIGNED: A. POWERS

DRAWN: J. VOUGHT

CHECKED: D. PECCHIA

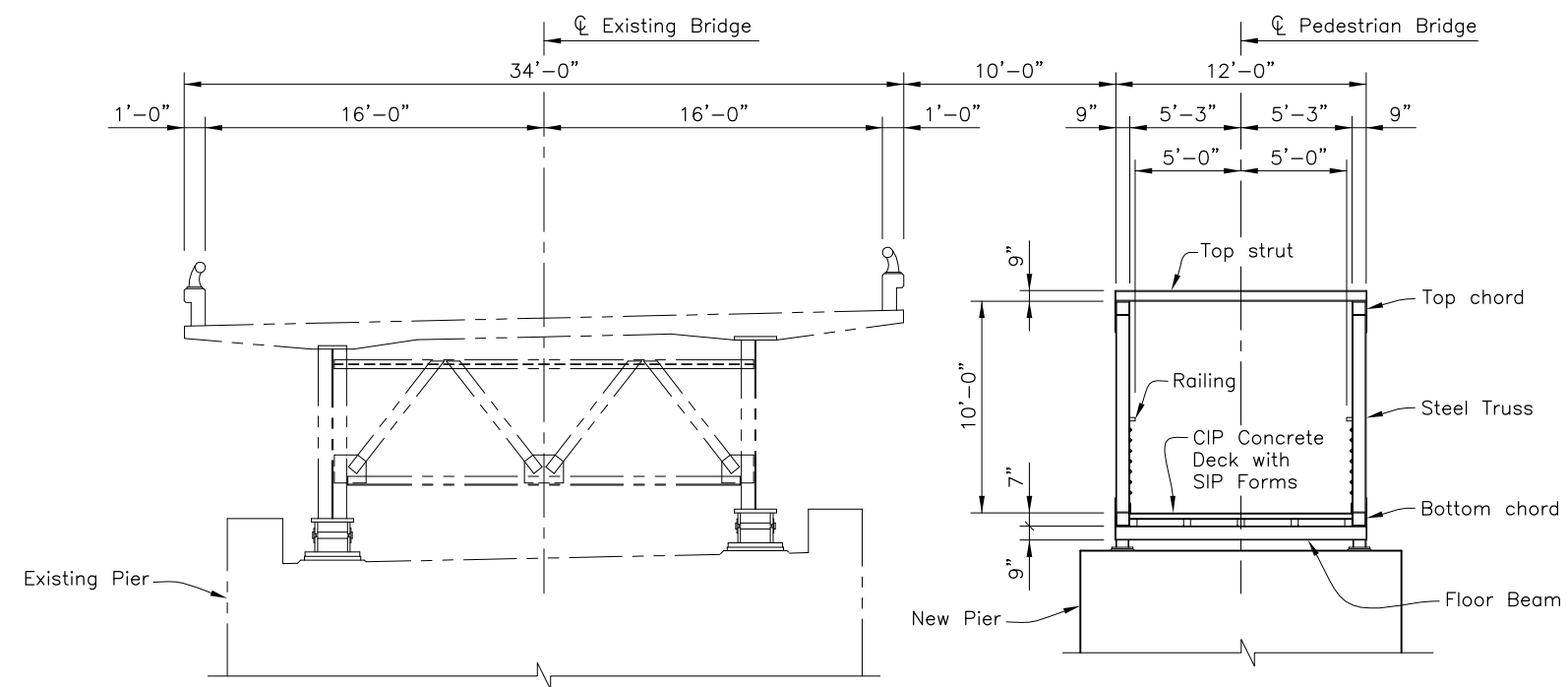
DATE: 4-27-07

REVISIONS	
NO.	DATE



TYPICAL SECTION - WIDENED FOR PEDESTRIAN CROSSING

1/4" = 1'-0"



TYPICAL SECTION - WITH SEPARATE BRIDGE FOR PEDESTRIAN CROSSING

1/4" = 1'-0"

AUBURN TO COOL TRAIL CROSSING
 ADVANCED PLANNING STUDY
 NORTH FORK AMERICAN RIVER BRIDGE (SR 49 BR. NO. 19-0035)

DRAWING NO. _____

SHEET NO. _____

AR-1

PRELIMINARY NOT FOR CONSTRUCTION